

Ultra Low Leakage Diodes in SOT-26, SOT-23, SOT-363, SOD-323, SOD-523 and SOT-563 packages



SOT-26



SOT-23



SOT-363



SOD-323



SOD-523



SOT-563

features →

- Ultra Low Leakage: 500pA Max.
- V_{RRM} 100V Max.
- Available in six surface mount packages.

description →

Designed for the most demanding applications where extended battery life is essential, the Central Semiconductor Ultra Low Leakage series of switching diodes meet the specifications design engineers require. With a leakage specification of 500pA max these EED (energy efficient devices) are perfect for portable electronics including; Notebook PCs, PDAs, Modems, etc.

Sample Devices
available
upon request.

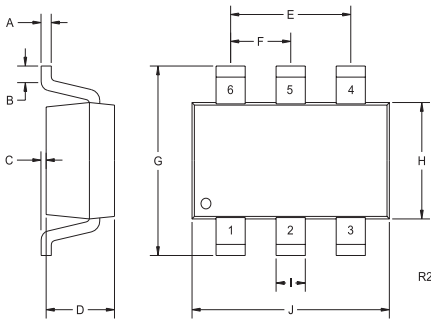
selection guide →

Ultra Low Leakage Diodes

TYPE NO.	CASE TYPE	V_{RRM} (V) MAX	I_F (mA) MAX	I_R (nA) MAX	@ V_{RWM} (V)	V_F (V) MAX	@ I_F (mA)	t_{rr} (μ s) MAX	C_T (pF) MAX	CASE (Actual Size)
CMXD6001	SOT-26 : Triple, Isolated	100	250	0.5	75	1.1	100	3.0	2.0	
CMPD6001	SOT-23 : Single	100	250	0.5	75	1.1	100	3.0	2.0	
CMPD6001A	SOT-23 : Dual, Common Anode	100	250	0.5	75	1.1	100	3.0	2.0	
CMPD6001C	SOT-23 : Dual, Common Cathode	100	250	0.5	75	1.1	100	3.0	2.0	
CMPS6001S	SOT-23 : Dual In Series	100	250	0.5	75	1.1	100	3.0	2.0	
CMKD6001	SOT-363 : Triple, Isolated	100	250	0.5	75	1.1	100	3.0	2.0	
CMDD6001	SOD-323 : Single	100	250	0.5	75	1.1	100	3.0	2.0	
CMOD6001	SOD-523 : Single	100	250	0.5	75	1.1	100	3.0	2.0	
CMLD6001	SOT-563 : Dual	100	250	0.5	75	1.1	100	3.0	2.0	
CMLD6001DO	SOT-563 : Dual Opposing	100	250	0.5	75	1.1	100	3.0	2.0	

Mechanical Specifications

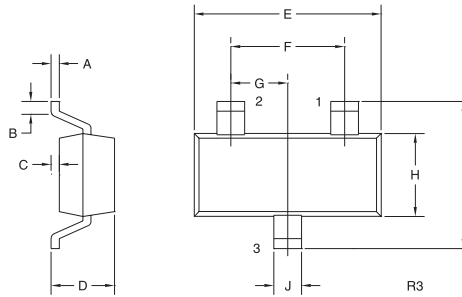
SOT-26



SYMBOL	INCHES		MILLIMETERS	
	MIN	MAX	MIN	MAX
A	0.004	0.007	0.11	0.19
B	0.016	-	0.40	-
C	-	0.004	-	0.10
D	0.039	0.047	1.00	1.20
E	0.074	0.075	1.88	1.92
F	0.037	0.038	0.93	0.97
G	0.102	0.118	2.60	3.00
H	0.059	0.067	1.50	1.70
I	0.016	-	0.41	-
J	0.110	0.118	2.80	3.00

SOT-26 (REV: R2)

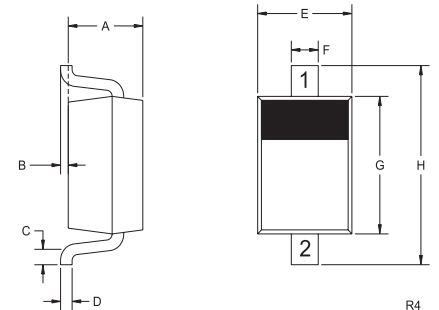
SOT-23



SYMBOL	INCHES		MILLIMETERS	
	MIN	MAX	MIN	MAX
A	0.003	0.007	0.08	0.18
B	0.006	-	0.15	-
C	-	0.005	-	0.13
D	0.035	0.043	0.89	1.09
E	0.110	0.120	2.80	3.05
F	0.075	-	1.90	-
G	0.037	-	0.95	-
H	0.047	0.055	1.19	1.40
I	0.083	0.098	2.10	2.49
J	0.014	0.020	0.35	0.50

SOT-23 (REV: R3)

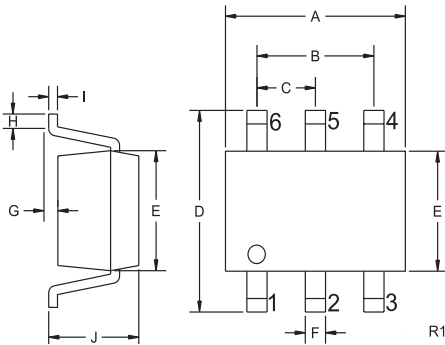
SOD-323



SYMBOL	INCHES		MILLIMETERS	
	MIN	MAX	MIN	MAX
A	0.031	0.039	0.80	1.00
B	0.000	0.004	0.00	0.10
C	0.008	-	0.20	-
D	0.004	0.007	0.11	0.19
E	0.045	0.053	1.15	1.35
F	-	0.014	-	0.35
G	0.063	0.071	1.60	1.80
H	0.094	0.102	2.40	2.60

SOD-323 (REV: R4)

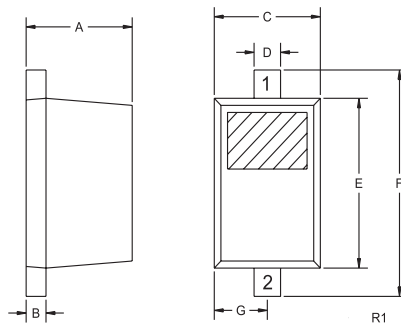
SOT-363



SYMBOL	INCHES		MILLIMETERS	
	MIN	MAX	MIN	MAX
A	0.073	0.085	1.85	2.15
B	0.051	-	1.30	-
C	0.026	-	0.65	-
D	0.075	0.091	1.90	2.30
E	0.043	0.055	1.10	1.40
F	0.006	0.012	0.15	0.30
G	0.000	0.004	0.00	0.10
H	0.010	-	0.25	-
I	0.004	0.010	0.10	0.25
J	0.031	0.039	0.80	1.00

SOT-363 (REV: R1)

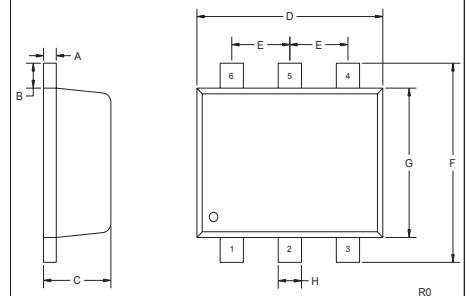
SOD-523



SYMBOL	INCHES		MILLIMETERS	
	MIN	MAX	MIN	MAX
A	0.020	0.031	0.50	0.80
B	0.004	0.008	0.10	0.20
C	0.028	0.035	0.70	0.90
D	0.008	0.011	0.20	0.28
E	0.039	0.055	1.00	1.40
F	0.055	0.071	1.40	1.80
G	0.016	-	0.40	-

SOD-523 (REV: R1)

SOT-563



SYMBOL	INCHES		MILLIMETERS	
	MIN	MAX	MIN	MAX
A	0.004	0.007	0.10	0.18
B	0.008	-	0.20	-
C	0.022	0.024	0.56	0.60
D	0.059	0.067	1.50	1.70
E	0.020	-	0.50	-
F	0.061	0.067	1.55	1.70
G	0.047	-	1.20	-
H	0.006	0.012	0.15	0.30

SOT-563 (REV: R0)

CentralTM
Semiconductor Corp.

*Innovations in Discrete
Semiconductors*

145 Adams Avenue • Hauppauge • New York • 11788 • USA • Tel:(631) 435-1110 • Fax:(631) 435-1824

For Complete Package Details please visit:
www.centrasemi.com/packageDetails

For further information contact:
Sales at Central Semiconductor Corp.
(631) 435-1110 or visit our website at:
www.centrasemi.com